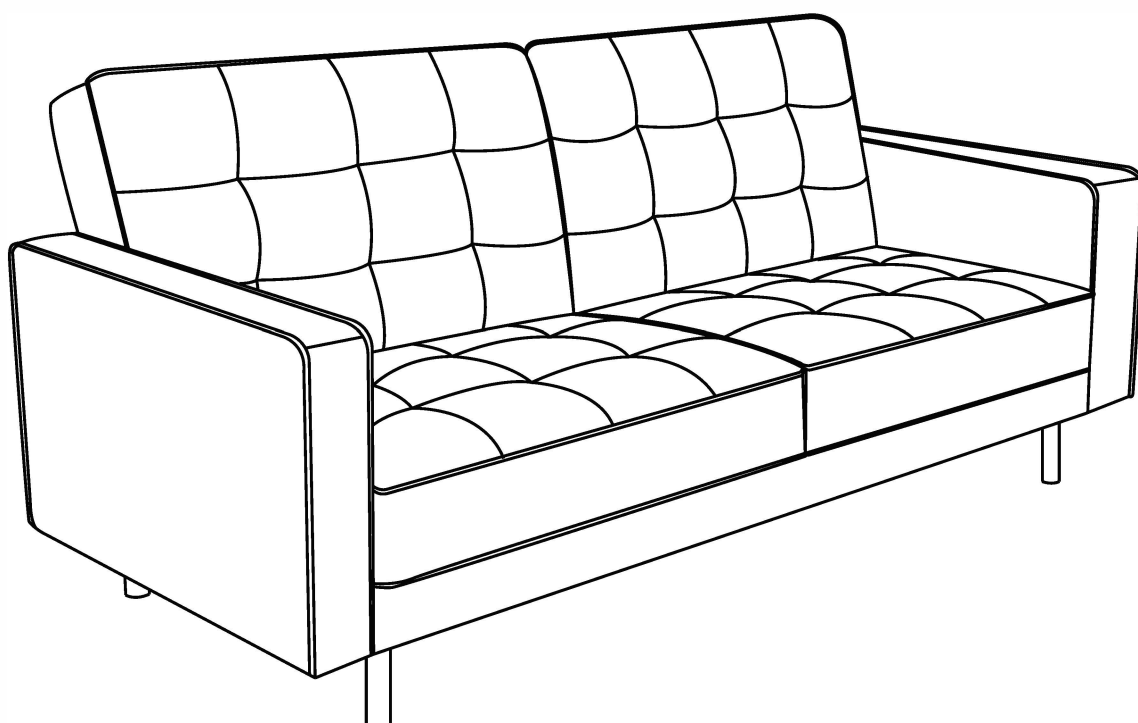


Pocket Rest Sofa Bed



Thank you for purchasing the Clic Clac Sofabed. In order to make the best use of this product and to use it safely, please read the manual carefully before use and keep it for future reference.

STOCK Ref.: Blue-FloBlueVelvSofaBed1of1
Green-FloGreenVelvSofaBed1of1
Grey-FloLinearGreyVelvSofaBed1of1



IMPORTANT - READ CAREFULLY - RETAIN FOR FUTURE REFERENCE

Always follow the manufacturer's instructions.

Important – Please read these instructions fully before starting assembly

- Check you have all the components and tools listed on pages 2 and 3.
- Remove all fittings from the plastic bags and separate them into their groups.
- Keep children and animals away from the work area, small parts could choke if swallowed.
- Parts of the assembly will be easier with 2 people.
- Keep hands clear of moving parts when changing the backrest position.
- Make sure you have enough space to layout the parts before starting.
- Assemble the item as close to its final position (in the same room) as possible.
- Assemble on a soft level surface to avoid damaging the unit or your floor.
- Dispose of all packaging carefully and responsibly.
- Place the product on flat and steady surface during use.
- Keep these instructions for future use.
- To ensure an easier assembly, we strongly advise that all fittings are only finger tightened during initial assembly. Only upon completion of the assembly should all fixing points be fully tightened.
- Periodically check that all fixings remain fully tightened.

Care and maintenance

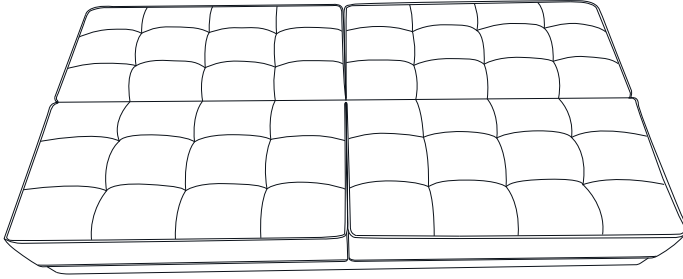
- Safety: To avoid any risk of suffocation to animals or children dispose of the plastic bags immediately.
- Only clean using a damp cloth and mild detergent, do not use bleach or abrasive cleaners.
- Cleaning: As with all surfaces clean with a damp cloth and mild detergent, do not use bleach or abrasive products.
- From time to time check that there are no loose screws on this unit.
- The ventilation of the room is necessary in order to keep the humidity low and to prevent mould in and around the bed.
- This product should not be discarded with household waste. Take to your local authority waste disposal centre.

Cleaning Guidance

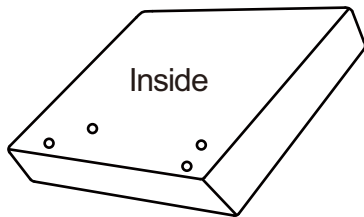
- Minor stains and spillages should be removed immediately from cushion fabric, by wiping over lightly with a damp cloth and mild soapy water.
- Light marking can also be removed using this method.
- To remove more stubborn stains or marking, a good quality proprietary domestic fabric cleaner can be used, although it should first be tested on an inconspicuous area of the fabric.

Components-Parts

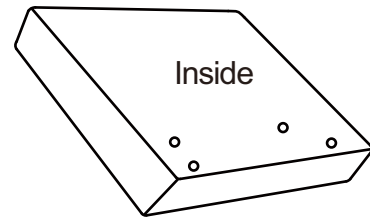
Please check you have all the parts listed below



- 1 Sofa Body x 1
(192x115x29cm)



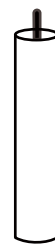
- 2 Side Arm (Right) x 1
(81x47.5x11cm)
**Note: Packed Inside
Sofa Body**



- 3 Side Arm (Left) x 1
(81x47.5x11cm)
**Note: Packed Inside
Sofa Body**



- 4 Leg x 4
(15x4cm)
**Note: Packed Inside
Sofa Body**



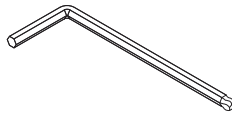


- 5 Central Support Leg x 1
(14.5x3cm)
**Note: Packed Inside
Sofa Body**

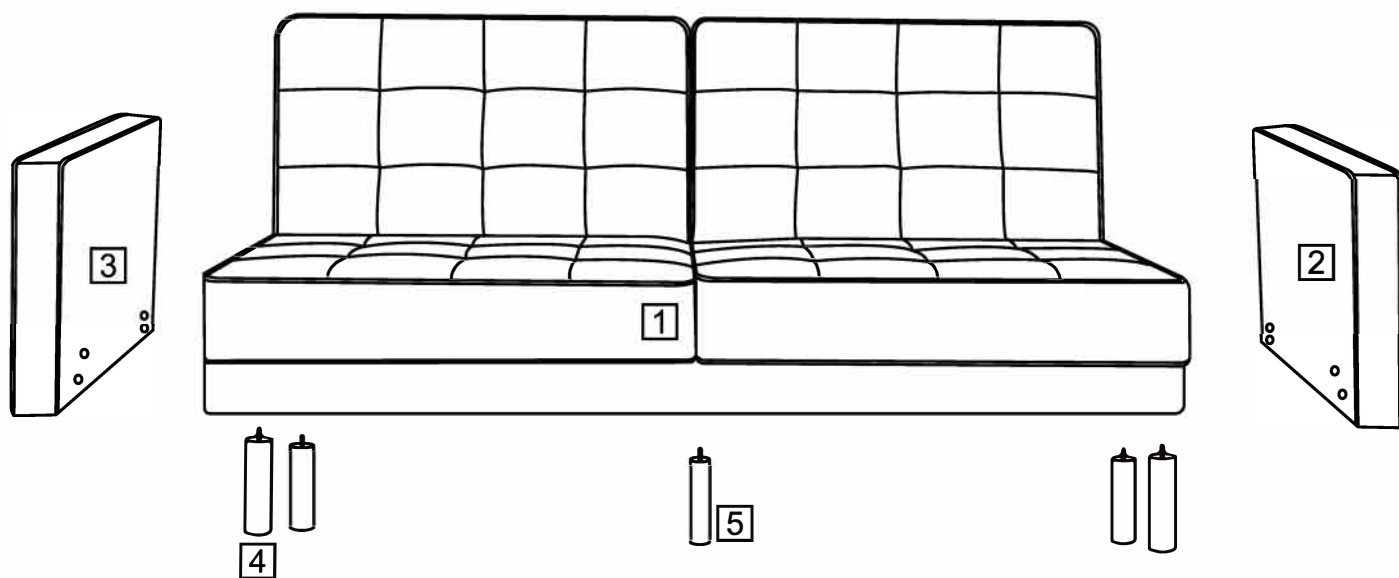
Fixings, Fittings And Tools

Please check you have all the parts listed below

Note: The quantities below are the correct amount to complete the assembly. In some cases more fittings may be supplied than are required.

<p>A</p>  <p>Allen Screw M8x60mm x 8</p>	<p>B</p>  <p>Spring washer 19x1.2mm x 8</p>	<p>C</p>  <p>Allen Key 5x40x100mm x 1</p>
--	---	--

Main Component Diagram

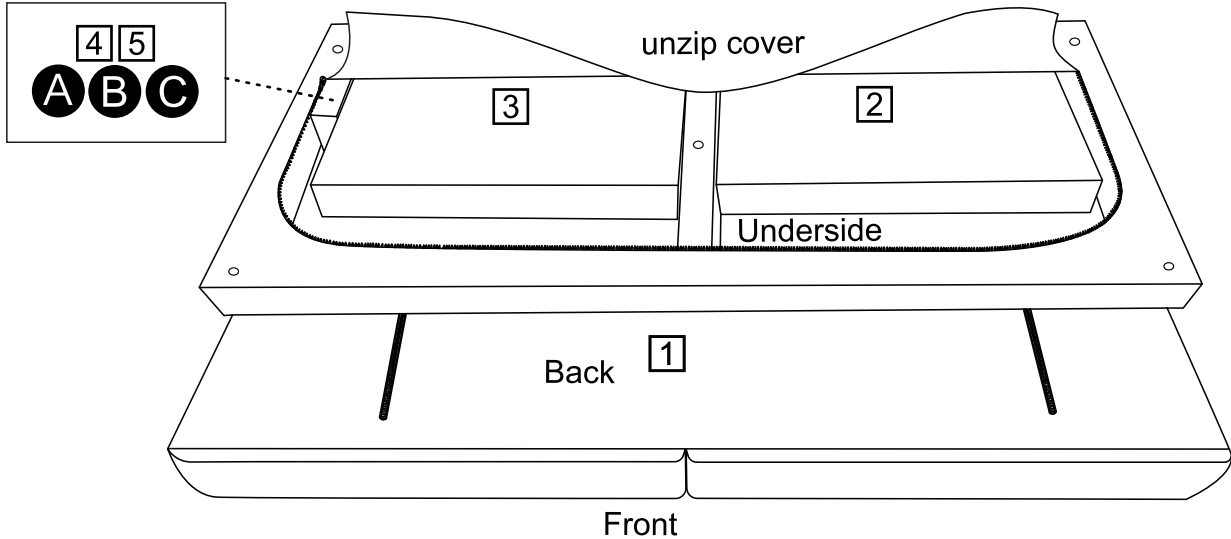


Assembly Steps

Step 1

Important

The Side arms, Legs, Support leg, Fixings, Fittings and Tools are all packed inside the zipped cover on the underside of sofa body [1].



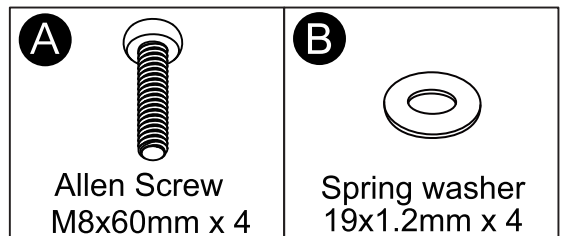
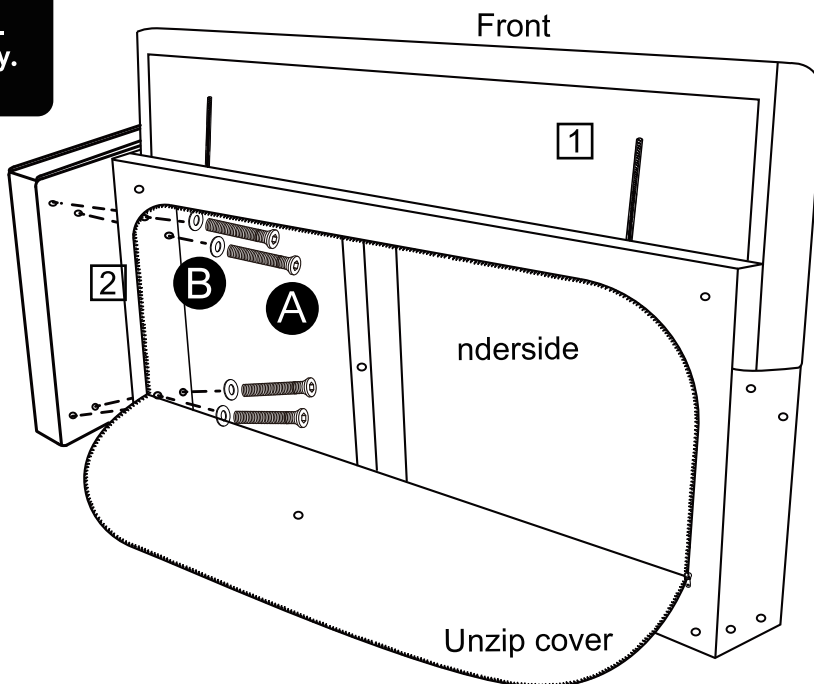
Shown Upside Down

Step 2

With help stand sofa body onto it's back edge.

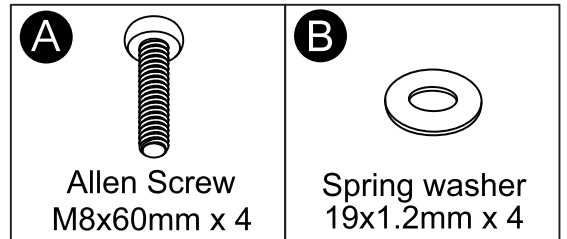
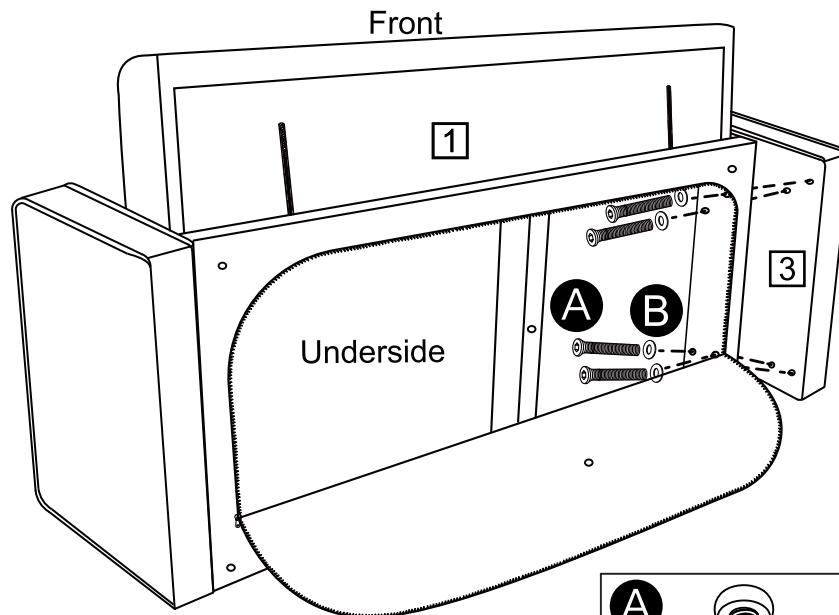
WARNING!

The body is heavy.
Lift with care.



Assembly Steps

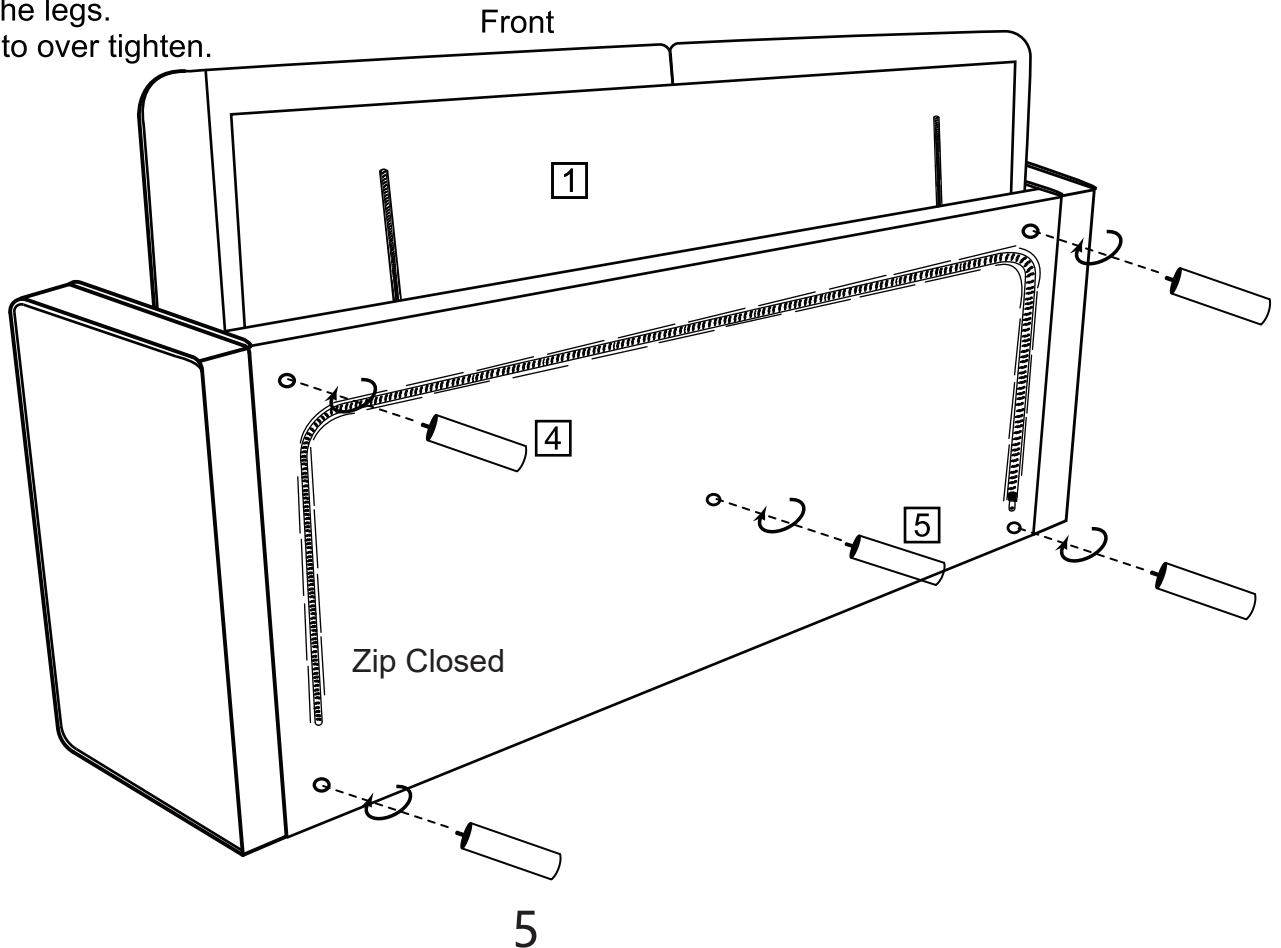
Step 3



Step 4

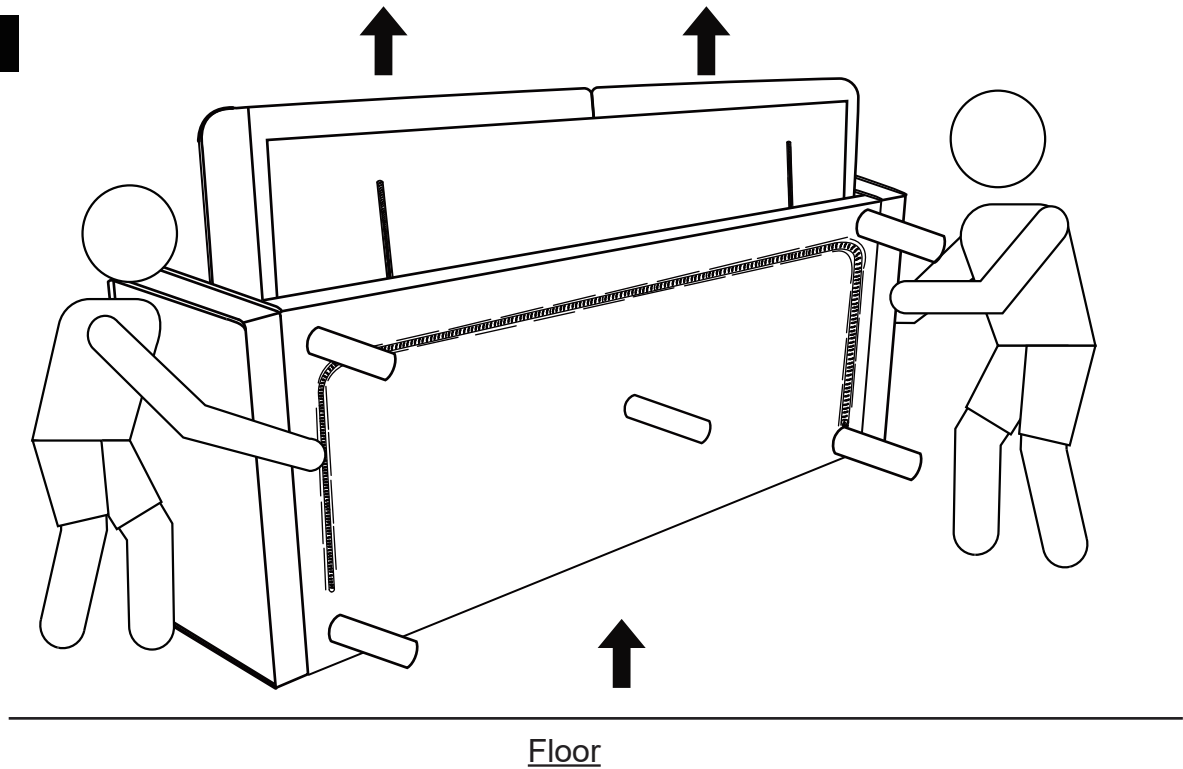
Close the zipped cover before assembling the legs.

Hand tighten the legs.
Take care not to over tighten.



Assembly Steps

Step 5

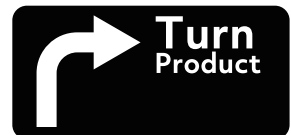
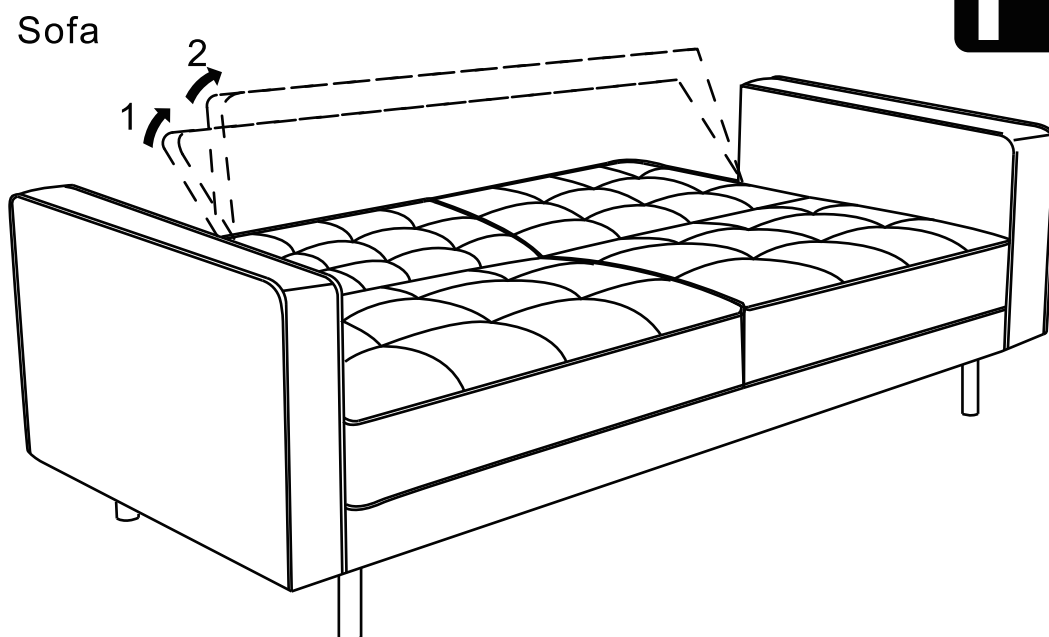


Important

Lift the sofa completely off the floor, before turn it over and standing it down. Do not attempt to turn the sofa without lifting it, as damage will occur.

Step 6

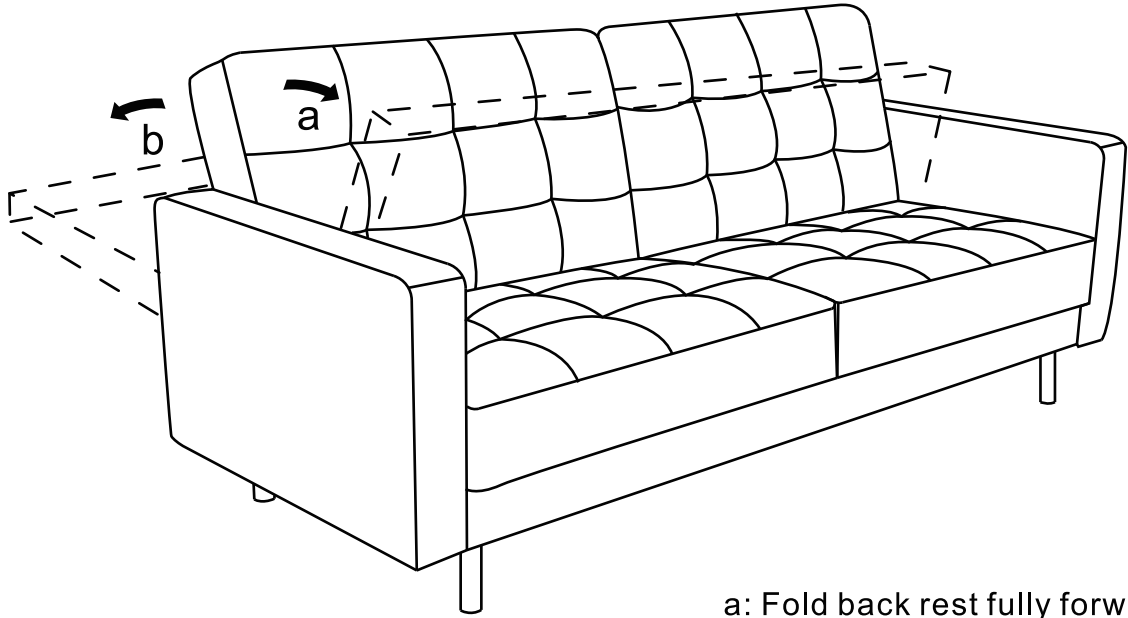
Raise the back rest until it clicks into position.



Assembly Steps

Step 7

To use as a bed



a: Fold back rest fully forward.
b: Return back rest to flat position.

Step 8

- If the sofa is to be used as a bed, it is important the support legs are fully opened out.
- Open the zips on each side.
- Carefully pull out the legs until they click into position.
- To fold the legs back in press the spring loaded buttons at the top of each leg to release the leg.

